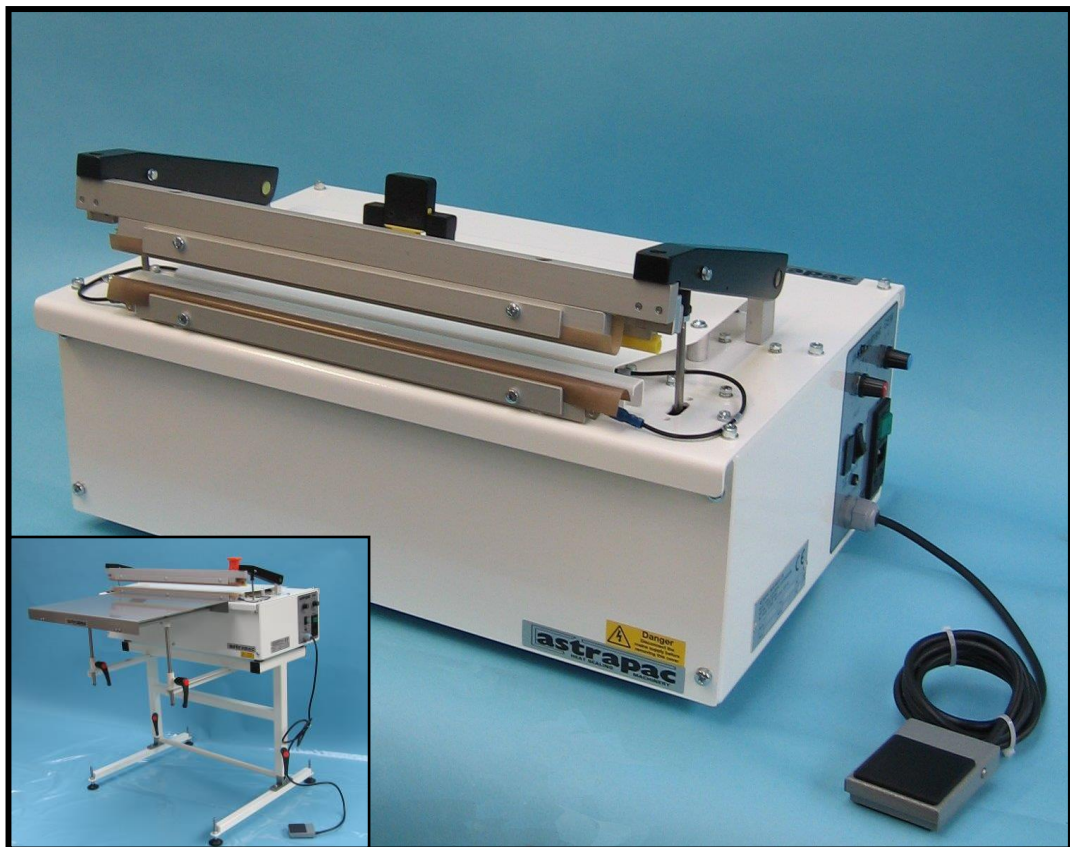


# GEM



**SEMI AUTOMATIC  
HEAVY DUTY IMPULSE  
SEALING MACHINE**

## GEM SEMI AUTO IMPULSE SEALER

The heavy duty GEM range of heat sealing machines are designed for continuous use, where there is a need for repeatable quality seals on polythene and other thermoplastic films. Built to an industrial specification the GEM it is equally at home in warehousing operations, food processing factories, laboratories, Ordnance, engineering sector etc. GEM is available in a range of sizes and can be supplied with either one or both of the sealing jaws heated (dependant on application). The GEM is fitted with a two stage electronic timer, this controls the heat and cool (dwell) cycle times. The option of a manually operated rear sliding cutter is available for use when trimming bag tops for a neat finish or converting layflat tubing into bags.

Operation is by low voltage IP65 rated electrical foot switch which actuates electrical solenoids to close the sealing jaws or if preferred, simply pressing down the top sealing jaw by hand to a lock position.

A number of options and accessories are offered to enhance the use of the sealer (see below).

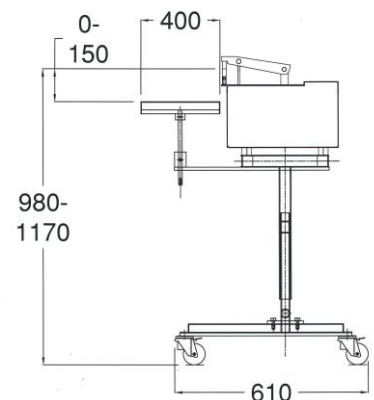
NOTE; For critical applications where repeatable high quality seals are paramount and / or set within controlled parameters (refer to both the MAJOR BMA PRO and Accutemp models. These use a highly developed processor to control the sealing cycle, enabling temperature to be set alongside sealing time.

FEATURES	OPTIONS	ACCESSORIES
Safety- jaws release on contact, should an operator fingers or an obstruction be between the jaws.	Single and both jaws heated.	Film roller kit.
Switchable hand or foot operation.	Manual rear mounted safety trimmer.	Rear film clamp.
Spring tensioned heating element.	Stainless Steel Version.	Floor stand with adjustable front table
Easy to use.	IP54 / 65 ingress protection Version.	
Low voltage foot switch.		



## TECHNICAL SPECIFICATION

MODEL	375	375C	625	625C	1000	1000C
SEAL LENGTH mm	375	375	625	625	1000	1000
CUT LENGTH mm	-----	375	-----	625	-----	1000
SEAL WIDTH	4mm					
JAW OPENING	25mm					
JAW ACTUATION	Solenoid					
BODY LENGTH 'x' mm	580	580	830	830	1240	1240
SEALABLE THICKNESS	Max. 2 x 250mu (2x1000g)					
SEALING TIME	0 – 10 Seconds					
POWER SUPPLY	230 Volt (115 option)					
POWER VA (Watts)	250	250	400	400	850	850
PACKING SPEC CMS	LENGTH					
	DEPTH					
	WIDTH					
WEIGHT Kg	15	15	18	18	25	25



ASTRAPAC (MIDLANDS) LTD., MOUNT ROAD, BURNTWOOD, STAFFORDSHIRE, UK, WS7 0AJ,  
TELEPHONE: (01543) 677262 Website: [www.astrapac.co.uk](http://www.astrapac.co.uk) Email: sales@astrapac.co.uk