

astrapac
HEAT SEALING MACHINERY

RANGER

HEAVY DUTY



**HAND OPERATED
PORTABLE
IMPULSE SEALER**

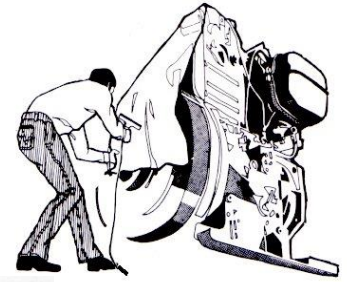
RANGER IMPULSE HEAT SEALER

Ranger heavy duty precision lightweight portable hand tool designed for continuous use, where there is a need for repeatable high quality seals on polythene (up to 2 x 250mu) and other thermoplastic films.

Ease of use and operator comfort are high priorities of the RANGER. The hand set features include, both jaws being heated, ergonomically designed contoured handles, L.E.D. indicators built in for easy monitoring of the seal cycle. A wide jaw opening and spring tensioned heating elements.

Controls comprise of a on /off switch, a two stage electronic timer to regulate heat and cool (dwell) cycle time.

The RANGER is supplied with a quick release plug and socket allowing a quick change of sealing heads (see options). Sealing is initiated when jaws are closed on the film.



FEATURES

- Both jaws heated.
- Spring tensioned heating element.
- Seal cycle Indicators on seal head
- Lightweight
- Comfortable handles
- Quick release plug and socket for interchange of sealing head.

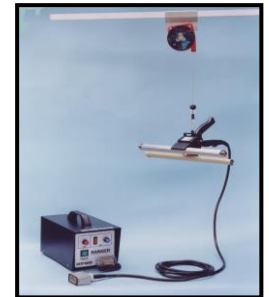
OPTIONS

- Operational voltage 230 or 115 volt
- Various interchangeable head sizes Sealing are available separately.
- Counter balance support system.



Inset Image of a special Inline version with 50mm long seal

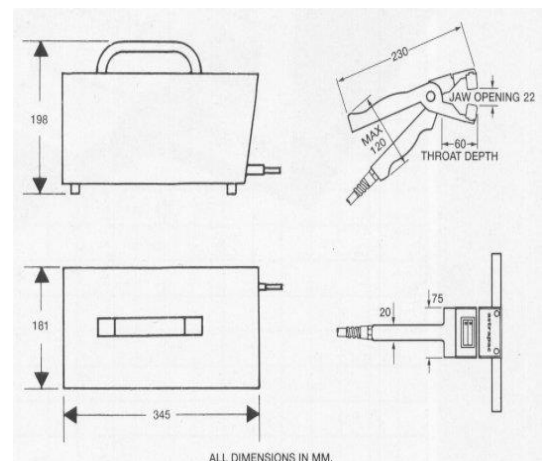
ACCESSORIES



Sealing head supported by optional counter

TECHNICAL SPECIFICATION

MODEL	200	300	400
Seal Length mm	200	300	400
Seal Time	Adjustable to 10 sec		
Seal Width	4mm		
Power Supply	230v 50hz (115v option)		
Sealable Thickness	Max 2 x 250 mu (2x1000g)		
Power VA (watts)	280	400	600
Head Cable Length	4m		
Mains Cable Length	2m		
Weight	14Kg		



ASTRAPAC (MIDLANDS)LTD, Mount Road, Burntwood, Staffs, WS7 0AJ, Great Britain
 Telephone (01543) 677262 Fax (01543) 672718
 e-mail sales@astrapac.co.uk , www.astrapac.co.uk