

# CONSORT B.M.A.



**SEMI AUTOMATIC  
HEAVY DUTY  
CONSTANT HEAT SEALING  
MACHINE**

## CONSORT B.M.A. HEAT SEALER

The semi-automatic CONSORT BMA constantly heated sealing machine is designed for applications where seal integrity and repeatability are essential.

Designed for use with flexible laminated films, e.g. coated foils, coated & emulsions papers, medical peelable window pouches, poly lined bags, nylon/polyesters laminates, etc. for other specialist materials consult Astrapac.

Controls on the air operated BMA enable the sealer to be validated giving readouts of temperature, dwell time and air line pressure.

BMA model can be found in Laboratories, clean rooms, food processing production lines, and a wide range of general industrial applications. For critical applications where alarm facilities are required refer to our LABSEAL model.

The machine is built to IP54 ingress protection rating as standard and a industrial specification, but stainless IP65 versions are available.

CONSORT BMA is offered as a bench mounted unit as standard with the option of floor mounted stands for either vertical or horizontal mounting plus other accessories (see further details).

As standard both top and bottom sealing jaws are heated, manufactured in brass to ensure even heat distribution. Jaw profile is longitudinal precision crimp pattern on the smaller sizes with the longer unit offered with a flat profile.

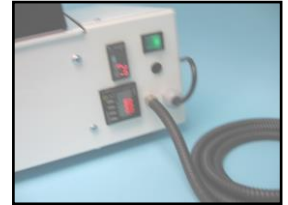
Controls comprise, a microprocessor temperature controller, range up to 250°C, temperature is monitored continually via a thermocouple sensor.

Dwell time is adjustable by a precise digital timer control accurate to 0.01 of a second.

Seal pressure is controlled by a regulator located on the machines air service unit and displayed on an analogue gauge.

The seal cycle is initiated by an electrical foot switch, which closes the jaws for a pre-determined time, at the end of this period the jaws open automatically.

Safety guards are fitted as standard to the CONSORT range.

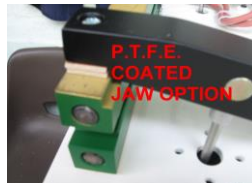


**PLEASE NOTE: This machine is designed for laminate materials only and is not suitable for polythene or any other single web film.**

### FEATURES

Precise Digital controls  
Semi Automatic  
Reduces Operator Fatigue  
High Quality Sealing Jaws  
Powerful Heating Elements  
Fully Guarded for safety

### OPTIONS



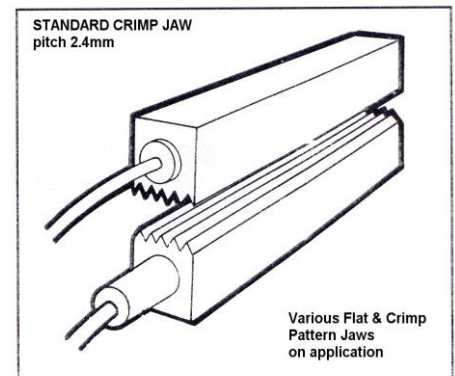
Stainless Steel Version  
Flat face sealing jaws  
P.T.F.E Coated Jaws

### ACCESSORIES

Floor stands.  
Product support tray  
(See front cover)

### TECHNICAL SPECIFICATION

MODEL CONSORT BMA	250	500	625	1000
Seal length	250	500	625	1000
Throat depth mm	90			
Seal width mm	12			
Jaw opening mm	10			
Temperature Range	UP to Maximum 250°C			
Warm up time	5 minutes			
Sealing Jaws	As Standard Crimp Pattern		As standard Flat Faced	
Power Supply	230v AC 50Hz (115 volt optional)			
Power VA (watts)	350	650	800	1100
Dwell time	0-9.99 seconds			
Air pressure	Max 5bar (80psi)			
Air consumption	0.23dm <sup>3</sup> /sec (0.5cfm)			
Std machine finish	Powder coat colour white			
	Height	28 cms		
	Depth	42 cms		
	Width	61 cms	75cms	110cms
	Weight	34 Kg	42Kg	48Kg



**astrapac**  
HEAT SEALING MACHINERY

ASTRAPAC (MIDLANDS) LTD., MOUNT ROAD, BURNTWOOD,  
STAFFORDSHIRE, WS7 0AJ, GREAT BRITAIN  
TELEPHONE: (01543) 677262 FAX: (01543) 672718  
Website: [www.astrapac.co.uk](http://www.astrapac.co.uk) Email: sales@astrapac.co.uk